

Amari Panel Tracks

The ultimate system for making the very most of panels.



- In Amari Panel Track the full fabric design is visible and does not get hidden in pleats.
- It is specially suitable for large windows and partitions.
- Offering upto 5 Tracks Amari makes many panel combination possible.
- It can be split right-left, stake on one side or divided in different combinations to create stunning effect for windows.

Amari Panel Tracks

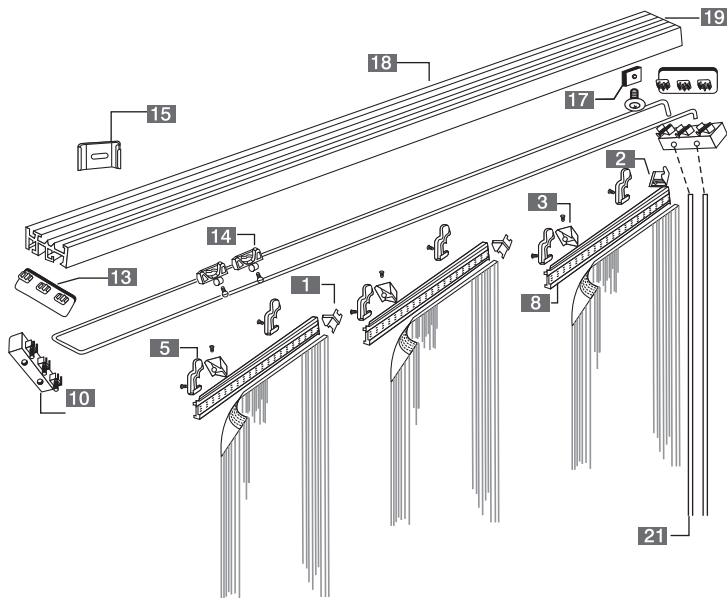
Unique Features of Amari Panel Tracks

The track length determines the panel size, allowing for a 100 mm overlap. e.g. if the track is 1000 mm, 2 panels would measure 550 mm each therefore creating the 100 mm overlap.

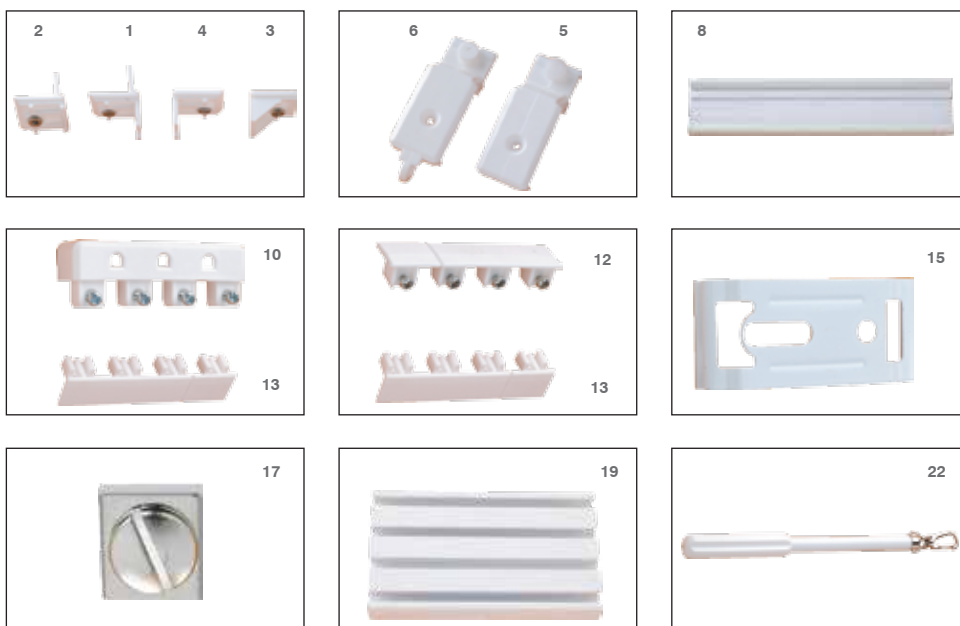
The Amari Panel Track System is available in three styles of operation:

- Wand (maximum width 5000 mm x height 2600 mm.)
- Manual (maximum width 5000 mm x height 2600 mm.)
- Corded (maximum width 2000 mm x height 2400 mm.)

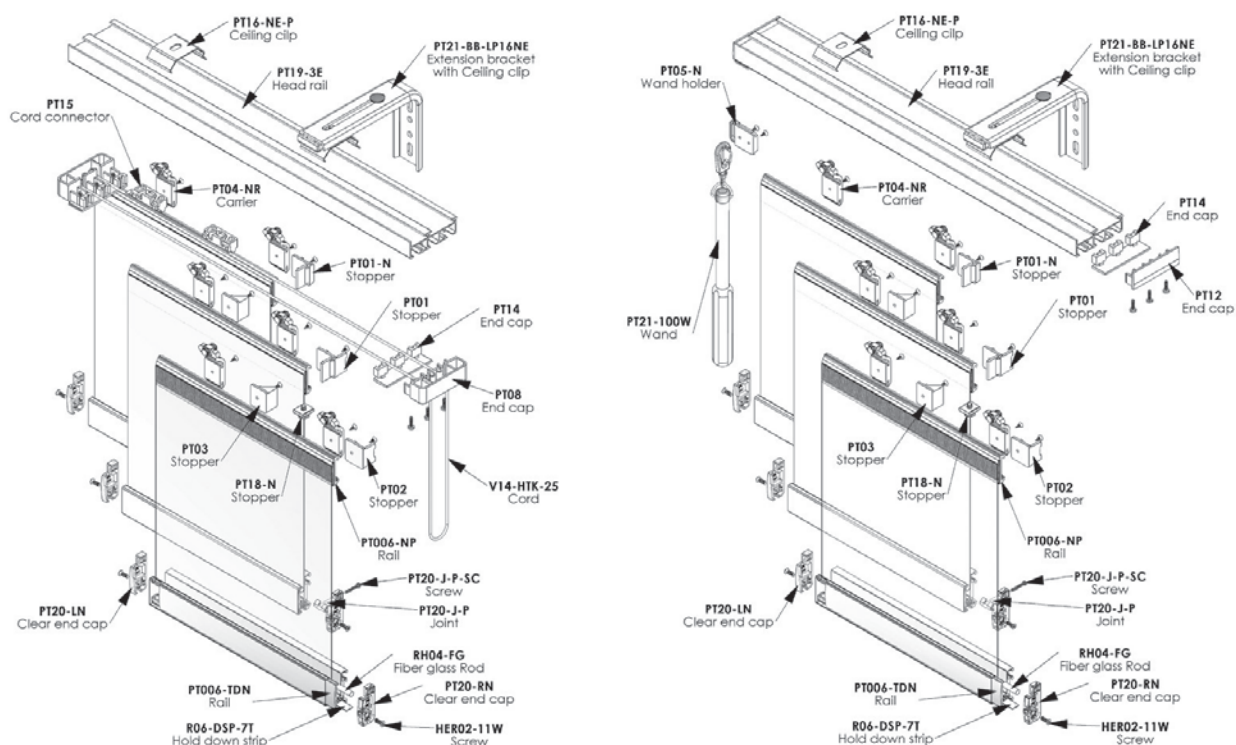
Structure Drawing of Amari Panel Tracks



Components of Amari Panel Tracks



Installation Dimensions

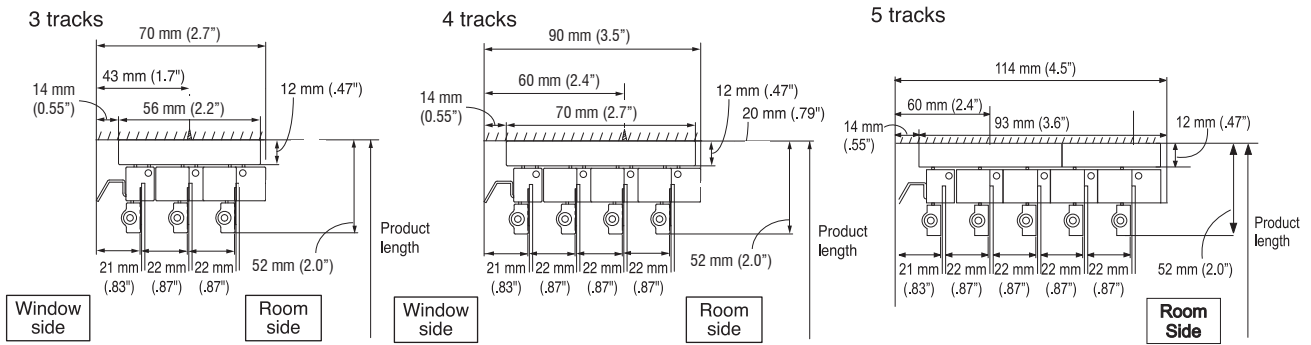


Components and Materials

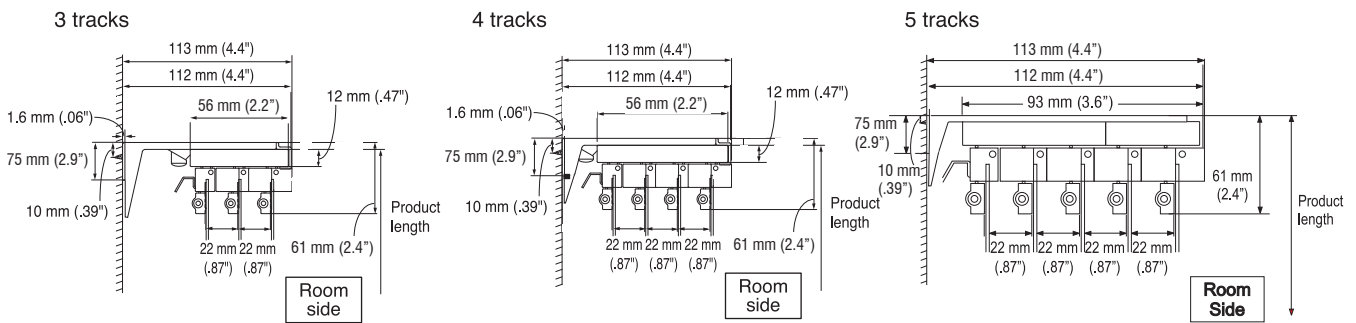
Sr. No.	Product Code	Components	Materials
1.	APT01	"T" Type Stopper	Polyacetal
2.	APT01N	"L" Type Stopper Cutting other side	Polyacetal
3.	APT02	End Stopper	Polyacetal
4.	ATP03	"L" Type Stopper	Polyacetal
5.	APT04	Carrier	Polyacetal
6.	APT05	Carrier with Eyelet	Polyacetal
7.	APT05N	Carrier Hook for Wand	Steel
8.	APT06	Rail with Hook Tape	Aluminum
9.	APT08	End Cap Three Track	Molded Resin
10.	APT09	End Cap Four Track	Molded Resin
11.	APT10	End Cap Five Track	Molded Resin
12.	APT12	End Cap for manual Control	Molded Resin
13.	APT14	Cover for End Cap	Molded Resin
14.	APT15	Connector for Cord	
15.	APT16	Ceiling Bracket Small	Steel
16.	APT17	Ceiling Bracket Large	Steel
17.	APT18	Square Nut	Steel
18.	APT19-3	Top Alum. Track, 3 Directions	Aluminum
19.	APT19-4	Top Alum. Track, 4 Directions	Aluminum
20.	APT19-5	Top Alum. Track, 5 Directions	Aluminum
21.	APT20	Pull cord 3.0 mm White	Chemical Fiber
22.	APT21-100W	Round Alum. Wand	Aluminum
23.	APT21BBLP16	L Bracket + Ceiling Bracket (APT16)	Steel
24.	APT21BBLP17	L Bracket + Ceiling Bracket (APT17)	Steel

Installation Dimensions

Direct Ceiling Attachment



Wall Attachment with Bracket



Panel Staking Options

